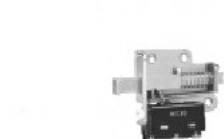




17AC1-T



AC Series Door Switch, Single Pole Double Throw (SPDT), 250 Vac, 5 A, Plunger lever Actuator, Solder Termination

Actual product appearance may vary.

Features

- Automatically cuts power when service door or drawer is opened
- Choice of momentary, maintained or pull-to-heat actuation
- Versatile mounting bracket for side or end mounting
- Current rating ranges from 5 A to 25 A
- Available with one or two SPDT switches
- UL recognized versions available
- Choice of termination

Potential Applications

- Appliances
- Vending machines
- Office equipment
- Computer/business equipment
- Test instruments
- Medical/dental equipment
- Communications equipment
- HVAC equipment

Description

MICRO SWITCH™ AC Series Door Switches are used for simple or precision on/off application needs. They enable circuit testing with POWER ON by manually pulling a rod actuator to the maintained-ON position. Closing the door resets the switch.

Product Specifications	
Switch Type	Door 30,0 mm H x 9,01 mm W x 42,9 mm L [1.182 in H x 0.355 in W x 1.69 in L]
Sealed	No
Ampere Rating	5 A
Circuitry	Single Pole Double Throw (SPDT)
Actuator	Plunger lever
Termination	Solder
Operating Temperature Range	-53 °C to 121 °C [-65 °F to 250 °F]
Voltage	250 Vac
Contact Type	Silver
Overtravel (O.T.)	4,47 mm [0.175 in] max.
Operating Position (O.P.)	5,59 mm [0.220 in] min.

Free Position (F.P.)	9,53 mm [0.375 in] max.
Housing Material	General Purpose Phenolic
High Temperature	121 °C [250 °F]
Mounting Screw Size	4-48 UNF-2B
Weight	7,46 g [0.020 lb]
Package Height	30,05 mm [1.183 in] ref.
Package Width	42.9 mm [1.690 in] ref.
Package Length	9,02 mm [.355 in] ref.
Comment	Turret type solder terminals.
Availability	Global
UNSPSC Code	30211905
UNSPSC Commodity	30211905 Snap switches
Series Name	AC

MICRO SWITCH

A DIVISION OF MINNEAPOLIS-HONEYWELL REGULATOR COMPANY
 FREEPORT, ILLINOIS
 FED. MFR. CODE 91929

ASSEMBLY - SWITCH

CATALOG LISTING
17ACI-T

M 17ACI-T

DRAWING NUMBER

ISSUE 10

RELEASE NO. SR 7894

REPLACES

CHECK

REVISIONS

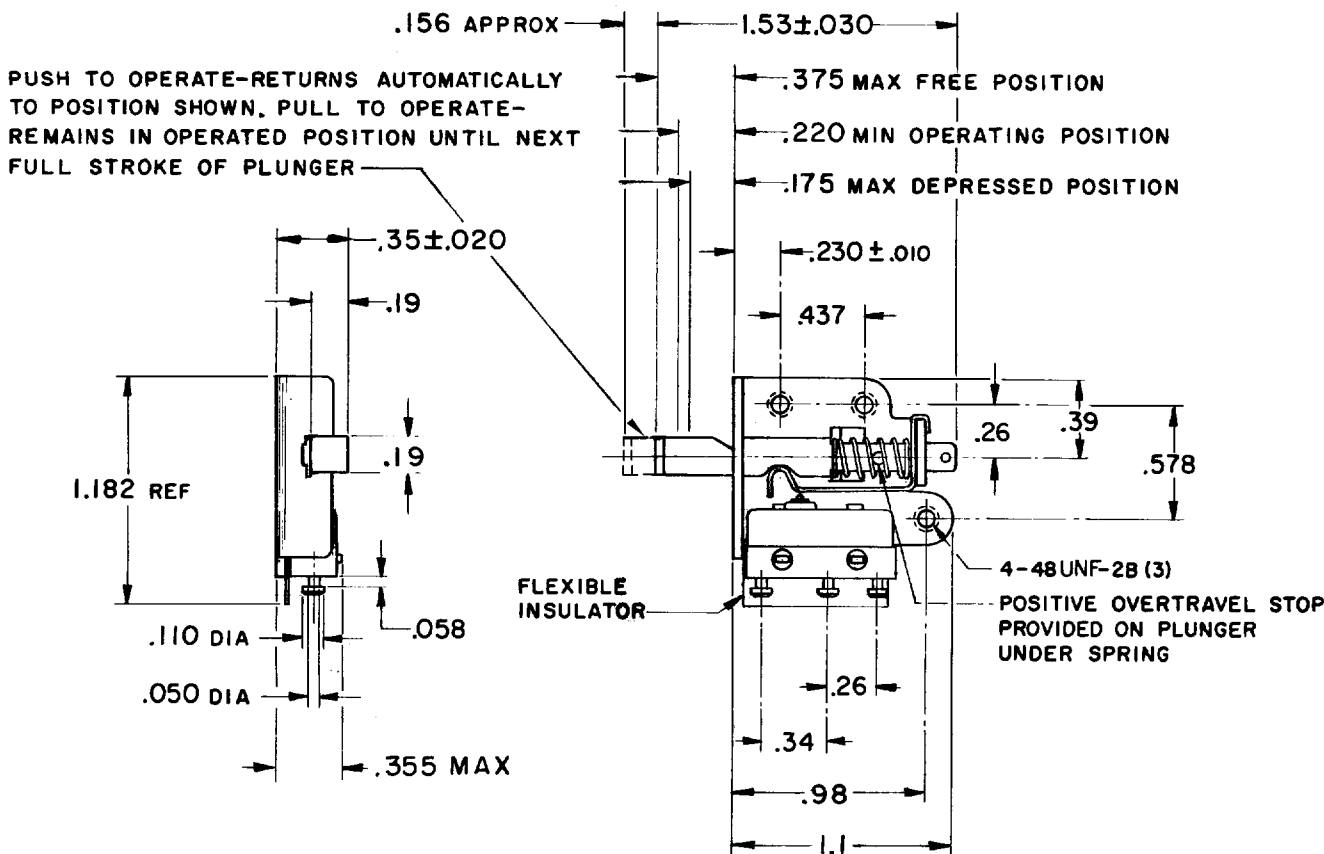
A	CORR	
13	RER	MAR 59
B	CO13528	
15	RER	MAY 59
C	CO14049	
18	MBF	SEP 59
D	CORR	
2	OMW	FEB 60
E	CO15981	
24	LSD	AUG 61
F	CO16231	
12	LSD	SEP 61
G	CO23756	
27	ORD	FEB 68
H	CO24376	
19	RER	JUN 68
J	CO-82803-B	
11	CSL	SEP 96

FORMTEK DRAWN

R. E. R 5 NOV 58

C. C. H 24 NOV 58

R. L. B 6 NOV 58



THIS DRAWING COVERS A PROPRIETARY ITEM AND IS THE PROPERTY OF MICRO SWITCH, A DIVISION OF MINNEAPOLIS-HONEYWELL REGULATOR CO. THIS DRAWING IS NOT TO BE COPIED OR USED WITHOUT THE APPROVAL OF MICRO SWITCH.

CHARACTERISTICS	
TOTAL TRAVEL	
© .156 APPROX PUSH DIRECTION	
.156 APPROX PULL DIRECTION	
FULL OVERTRAVEL FORCE	— 2 LBS APPROX

ELECTRICAL DATA	
CONTACT ARRANGEMENT	S P D T
250 VAC	— 5 AMPS
30 VOLTS DC RATING	
INDUCTIVE	SEA LEVEL — 3 AMPS
	50,000 FT. — 2.5 AMPS
RESISTIVE	SEA LEVEL — 5 AMPS
	50,000 FT. — 5 AMPS
MAXIMUM INRUSH	— 24 AMPS

SCALE FULL	
DO NOT SCALE PRINT	
UNLESS OTHERWISE SPECIFIED	
DIMENSIONS ARE IN INCHES	
TOLERANCES ARE:	
ONE PLACE (.0)	±.030
TWO PLACE (.00)	±.015
THREE PLACE (.000)	±.005
ANGLES	±
WEIGHT .02 LBS APPROX	